



中国认可
国际互认
检测
TESTING
CNAS L6478



TEST REPORT

Reference No..... : WTF18F05112726S

Applicant..... : Mid Ocean Brands B.V.

Address..... : Unit 201 2/F., Laford Centre, 838 Lai Chi Kok Road, Cheung Sha Wan, Kowloon, Hong Kong.

Manufacturer : Mid Ocean Brands B.V.

Address..... : Unit 201 2/F., Laford Centre, 838 Lai Chi Kok Road, Cheung Sha Wan, Kowloon, Hong Kong.

Vendor code..... : 109328

Product Name..... : Bluetooth speaker with wireless charger

Model No..... : MO9450

Standards : Information technology equipment – Safety –
Part 1: General requirements
IEC 60950-1:2005+A1:2009+A2:2013

Date of Receipt sample : 2018-05-24

Date of Test : 2018-05-24 to 2018-05-31

Date of Issue..... : 2018-06-26

Test Report Form No. : WSH-609501F-01A

Test Result..... : Pass

Remarks:

The results shown in this test report refer only to the sample(s) tested, this test report cannot be reproduced, except in full, without prior written permission of the company. The report would be invalid without specific stamp of test institute and the signatures of compiler and approver.

Prepared By:

Waltek Services (Foshan) Co., Ltd.

Address: No. 13-19, 2/F, 2nd Building, Sunlink International Machinery City, Chencun Town, Shunde District, Foshan, Guangdong, China

Tel: +86-757-23811398

Fax: +86-757-23811381

Compiled by:

Jaca Huang

Jaca Huang / Project Engineer



Approved by:

Jerry Mu

Jerry Mu / Manager

Test item description: Bluetooth speaker with wireless charger
Trade Mark: MOB
Model/Type reference: MO9450
Ratings: None

Copy of marking plate:



National difference:

EU group national differences were considered according to below standard:
EN 60950-1:2006+A11:2009+A1:2010+A12:2011+A2:2013

Summary of testing:

1. These samples are tested and complied with the requirements of standards listed.
2. Full tests were performed on model MO9450.

Test item particulars	
Equipment mobility.....:	<input checked="" type="checkbox"/> movable <input type="checkbox"/> hand-held <input checked="" type="checkbox"/> transportable <input type="checkbox"/> stationary <input type="checkbox"/> for building-in <input type="checkbox"/> direct plug-in
Connection to the mains.....:	<input type="checkbox"/> pluggable equipment <input type="checkbox"/> type A <input type="checkbox"/> type B <input type="checkbox"/> permanent connection <input type="checkbox"/> detachable power supply cord <input type="checkbox"/> non-detachable power supply cord <input checked="" type="checkbox"/> not directly connected to the mains <input type="checkbox"/> built-in component, consider in end system
Operating condition.....:	<input checked="" type="checkbox"/> continuous <input type="checkbox"/> rated operating / resting time: 90 sec ON / 30 min OFF
Access location	<input checked="" type="checkbox"/> operator accessible <input type="checkbox"/> restricted access location <input type="checkbox"/> built-in component, consider in end system
Over voltage category (OVC)	<input type="checkbox"/> OVC I <input type="checkbox"/> OVC II <input type="checkbox"/> OVC III <input type="checkbox"/> OVC IV <input checked="" type="checkbox"/> other:
Mains supply tolerance (%) or absolute mains supply values	N
Tested for IT power systems	<input type="checkbox"/> Yes <input checked="" type="checkbox"/> No
IT testing, phase-phase voltage (V)	N
Class of equipment	<input type="checkbox"/> Class I <input type="checkbox"/> Class II <input checked="" type="checkbox"/> Class III <input type="checkbox"/> Not classified
Considered current rating of protective device as part of the building installation (A)	N
Pollution degree (PD)	<input type="checkbox"/> PD 1 <input checked="" type="checkbox"/> PD 2 <input type="checkbox"/> PD 3
IP protection class	IPX0
Altitude during operation (m)	Up to 2000
Altitude of test laboratory (m)	Below 2000
Mass of equipment (kg)	Approx. 0.2kg
Possible test case verdicts:	
- test case does not apply to the test object.....:	N
- test object does meet the requirement.....:	P(Pass)
- test object does not meet the requirement.....:	F(Fail)

Abbreviations used in the report:

- normal conditions	N.C.	- single fault conditions	S.F.C
- functional insulation	OP	- basic insulation	BI
- double insulation	DI	- supplementary insulation	SI
- between parts of opposite polarity	BOP	- reinforced insulation	RI

Indicate used abbreviations (if any)

General remarks:

"(See Enclosure #)" refers to additional information appended to the report.

"(See appended table)" refers to a table appended to the report.

Throughout this report a point is used as the decimal separator.

General product information:

1. Bluetooth speaker with wireless charger, model MO9450, intended for use with the information technology equipment.
2. The maximum operating temperature is 40°C.
3. Circuit characteristics: the equipment contains SELV circuitry only.
4. The equipment is operated up to 2000m above sea level as declared by manufacturer.
5. Instructions and equipment marking related to safety is applied in the language that is acceptable in the country in which the equipment is to be sold.

IEC 60950-1			
Clause	Requirement + Test	Result - Remark	Verdict
1	GENERAL		P
1.5	Components		P
1.5.1	General		P
	Comply with IEC 60950-1 or relevant component standard	Components which were found to affect safety aspects comply with the requirements of this standard or within the safety aspects of the relevant IEC component standards. (see appended tables 1.5.1)	P
1.5.2	Evaluation and testing of components	Components which are certified to IEC and /or national standards are used correctly within their ratings. Components not covered by IEC standards are tested under the conditions present in the equipment.	P
1.5.3	Thermal controls	No thermal controls used	N
1.5.4	Transformers		N
1.5.5	Interconnecting cables		N
1.5.6	Capacitors bridging insulation		N
1.5.7	Resistors bridging insulation		N
1.5.7.1	Resistors bridging functional, basic or supplementary insulation		N
1.5.7.2	Resistors bridging double or reinforced insulation between a.c. mains and other circuits		N
1.5.7.3	Resistors bridging double or reinforced insulation between a.c. mains and antenna or coaxial cable		N
1.5.8	Components in equipment for IT power systems		N
1.5.9	Surge suppressors	No surge suppressor used.	N
1.5.9.1	General		N
1.5.9.2	Protection of VDRs		N
1.5.9.3	Bridging of functional insulation by a VDR		N
1.5.9.4	Bridging of basic insulation by a VDR		N
1.5.9.5	Bridging of supplementary, double or reinforced insulation by a VDR		N
1.6	Power interface		P
1.6.1	AC power distribution systems	Not directly connected to the mains	N
1.6.2	Input current	(see appended table 1.6.2)	P

IEC 60950-1			
Clause	Requirement + Test	Result - Remark	Verdict
1.6.3	Voltage limit of hand-held equipment		N
1.6.4	Neutral conductor	Not directly connected to the mains	N

1.7	Marking and instructions		P
1.7.1	Power rating and identification markings		P
1.7.1.1	Power rating marking	The required marking is located on the outside surface of the equipment.	P
	Multiple mains supply connections.....:		N
	Rated voltage(s) or voltage range(s) (V)	See marking plate for details or no need to mark.	P
	Symbol for nature of supply, for d.c. only.....:	See marking plate for details or no need to mark.	P
	Rated frequency or rated frequency range (Hz) ...:		N
	Rated current (mA or A)	See marking plate for details or no need to mark.	P
1.7.1.2	Identification markings	See below	P
	Manufacturer's name or trade-mark or identification mark	MOB	P
	Model identification or type reference	MO9450	P
	Symbol for Class II equipment only		N
	Other markings and symbols	Additional symbols or marking does not give rise to misunderstanding.	P
1.7.1.3	Use of graphical symbols		P
1.7.2	Safety instructions and marking		P
1.7.2.1	General		P
1.7.2.2	Disconnect devices	Not directly connected to the mains.	N
1.7.2.3	Overcurrent protective device	Not such equipment.	N
1.7.2.4	IT power distribution systems		N
1.7.2.5	Operator access with a tool		N
1.7.2.6	Ozone		N
1.7.3	Short duty cycles		N
1.7.4	Supply voltage adjustment	No voltage selector.	N
	Methods and means of adjustment; reference to installation instructions		N
1.7.5	Power outlets on the equipment		N

IEC 60950-1			
Clause	Requirement + Test	Result - Remark	Verdict
1.7.6	Fuse identification (marking, special fusing characteristics, cross-reference)		N
1.7.7	Wiring terminals	See below.	N
1.7.7.1	Protective earthing and bonding terminals		N
1.7.7.2	Terminals for a.c. mains supply conductors		N
1.7.7.3	Terminals for d.c. mains supply conductors		N
1.7.8	Controls and indicators	See below.	P
1.7.8.1	Identification, location and marking	The function of controls affecting safety is obvious without knowledge of language etc.	P
1.7.8.2	Colours	For functional indication a LED lights when the equipment is operating.	P
1.7.8.3	Symbols according to IEC 60417.....		N
1.7.8.4	Markings using figures		N
1.7.9	Isolation of multiple power sources		N
1.7.10	Thermostats and other regulating devices	No such components provided	N
1.7.11	Durability	The label was subjected to the permanence of marking test. The label was rubbed with cloth soaked with water for 15 sec. and then again for 15 sec. with the cloth soaked with petroleum spirit. After this test there was no damage to the label. The marking on the label did not fade.	P
1.7.12	Removable parts	No removable part.	N
1.7.13	Replaceable batteries	The Lithium type battery pack is Non-replacement.	N
	Language(s)		—
1.7.14	Equipment for restricted access locations.....	Not intended for use in restricted access locations.	N

2	PROTECTION FROM HAZARDS		P
2.1	Protection from electric shock and energy hazards		P
2.1.1	Protection in operator access areas		P
2.1.1.1	Access to energized parts	No hazard live part.	P
	Test by inspection		N

IEC 60950-1			
Clause	Requirement + Test	Result - Remark	Verdict
	Test with test finger (Figure 2A)		N
	Test with test pin (Figure 2B)		N
	Test with test probe (Figure 2C)	No TNV present.	N
2.1.1.2	Battery compartments		N
2.1.1.3	Access to ELV wiring	No ELV circuit	N
	Working voltage (V_{peak} or V_{rms}); minimum distance through insulation (mm)		—
2.1.1.4	Access to hazardous voltage circuit wiring	No such component	N
2.1.1.5	Energy hazards	No energy hazards in operator access area.	P
2.1.1.6	Manual controls	No manual controls.	N
2.1.1.7	Discharge of capacitors in equipment		N
	Measured voltage (V); time-constant (s)		—
2.1.1.8	Energy hazards – d.c. mains supply		N
	a) Capacitor connected to the d.c. mains supply ..:		N
	b) Internal battery connected to the d.c. mains supply :		N
2.1.1.9	Audio amplifiers		N
2.1.2	Protection in service access areas		N
2.1.3	Protection in restricted access locations		N

2.2	SELV circuits		P
2.2.1	General requirements	(see appended table 2.2)	P
2.2.2	Voltages under normal conditions (V)	Within SELV limits	P
2.2.3	Voltages under fault conditions (V)		N
2.2.4	Connection of SELV circuits to other circuits	SELV circuits are only connected to other secondary circuits. SELV circuit and all interconnected circuits separated from primary by reinforced insulation. The SELV circuit does not exceed the SELV limits under normal and fault conditions.	P

2.3	TNV circuits		N
2.3.1	Limits	No TNV circuits	N
	Type of TNV circuits		—
2.3.2	Separation from other circuits and from accessible parts		N
2.3.2.1	General requirements		N

IEC 60950-1			
Clause	Requirement + Test	Result - Remark	Verdict
2.3.2.2	Protection by basic insulation		N
2.3.2.3	Protection by earthing		N
2.3.2.4	Protection by other constructions		N
2.3.3	Separation from hazardous voltages		N
	Insulation employed		—
2.3.4	Connection of TNV circuits to other circuits		N
	Insulation employed		—
2.3.5	Test for operating voltages generated externally		N

2.4	Limited current circuits		N
2.4.1	General requirements		N
2.4.2	Limit values		N
	Frequency (Hz).....		—
	Measured current (mA)		—
	Measured voltage (V)		—
	Measured circuit capacitance (nF or μ F)		—
2.4.3	Connection of limited current circuits to other circuits		N

2.5	Limited power sources		P
	a) Inherently limited output		N
	b) Impedance limited output		N
	c) Regulating network or IC current limiter, limits output under normal operating and single fault condition	(see appended table 2.5)	P
	Use of integrated circuit (IC) current limiters		N
	d) Overcurrent protective device limited output		N
	Max. output voltage (V), max. output current (A), max. apparent power (VA)	(see appended table 2.5)	—
	Current rating of overcurrent protective device (A) ..		—

2.6	Provisions for earthing and bonding		N
2.6.1	Protective earthing	Class III apparatus.	N
2.6.2	Functional earthing		N
	Use of symbol for functional earthing		N
2.6.3	Protective earthing and protective bonding conductors		N
2.6.3.1	General		N

IEC 60950-1			
Clause	Requirement + Test	Result - Remark	Verdict
2.6.3.2	Size of protective earthing conductors		N
	Rated current (A), cross-sectional area (mm ²), AWG		—
2.6.3.3	Size of protective bonding conductors		N
	Rated current (A), cross-sectional area (mm ²), AWG		—
	Protective current rating (A), cross-sectional area (mm ²), AWG		N
2.6.3.4	Resistance of earthing conductors and their terminations; resistance (Ω), voltage drop (V), test current (A), duration (min)		N
2.6.3.5	Colour of insulation.....		N
2.6.4	Terminals		N
2.6.4.1	General		N
2.6.4.2	Protective earthing and bonding terminals		N
	Rated current (A), type, nominal thread diameter (mm)		—
2.6.4.3	Separation of the protective earthing conductor from protective bonding conductors		N
2.6.5	Integrity of protective earthing		N
2.6.5.1	Interconnection of equipment		N
2.6.5.2	Components in protective earthing conductors and protective bonding conductors		N
2.6.5.3	Disconnection of protective earth		N
2.6.5.4	Parts that can be removed by an operator		N
2.6.5.5	Parts removed during servicing		N
2.6.5.6	Corrosion resistance		N
2.6.5.7	Screws for protective bonding		N
2.6.5.8	Reliance on telecommunication network or cable distribution system		N

2.7	Overcurrent and earth fault protection in primary circuits		N
2.7.1	Basic requirements	Not directly connected to the mains	N
	Instructions when protection relies on building installation		N
2.7.2	Faults not simulated in 5.3.7		N
2.7.3	Short-circuit backup protection		N
2.7.4	Number and location of protective devices		N
2.7.5	Protection by several devices		N

IEC 60950-1			
Clause	Requirement + Test	Result - Remark	Verdict
2.7.6	Warning to service personnel.....:		N

2.8	Safety interlocks		N
2.8.1	General principles	No safety interlocks	N
2.8.2	Protection requirements		N
2.8.3	Inadvertent reactivation		N
2.8.4	Fail-safe operation		N
	Protection against extreme hazard		N
2.8.5	Moving parts		N
2.8.6	Overriding		N
2.8.7	Switches, relays and their related circuits		N
2.8.7.1	Separation distances for contact gaps and their related circuits (mm)		N
2.8.7.2	Overload test		N
2.8.7.3	Endurance test		N
2.8.7.4	Electric strength test		N
2.8.8	Mechanical actuators		N

2.9	Electrical insulation		P
2.9.1	Properties of insulating materials	Only SELV circuits inside the equipment, therefore no requirement on the insulation (see also subclause 5.3.4).	P
2.9.2	Humidity conditioning		N
	Relative humidity (%), temperature (°C)		—
2.9.3	Grade of insulation	The adequate levels of safety insulation is provided and maintained to comply with the requirements of this standard.	P
2.9.4	Separation from hazardous voltages		N
	Method(s) used		—

2.10	Clearances, creepage distances and distances through insulation		P
2.10.1	General	Not directly connected to the mains	N
2.10.1.1	Frequency		N
2.10.1.2	Pollution degrees	2	P
2.10.1.3	Reduced values for functional insulation	See clause 5.3.4.	P
2.10.1.4	Intervening unconnected conductive parts		N

IEC 60950-1			
Clause	Requirement + Test	Result - Remark	Verdict
2.10.1.5	Insulation with varying dimensions		N
2.10.1.6	Special separation requirements		N
2.10.1.7	Insulation in circuits generating starting pulses		N
2.10.2	Determination of working voltage		N
2.10.2.1	General		N
2.10.2.2	RMS working voltage		N
2.10.2.3	Peak working voltage		N
2.10.3	Clearances		N
2.10.3.1	General		N
2.10.3.2	Mains transient voltages		N
	a) AC mains supply		N
	b) Earthed d.c. mains supplies		N
	c) Unearthed d.c. mains supplies		N
	d) Battery operation		N
2.10.3.3	Clearances in primary circuits		N
2.10.3.4	Clearances in secondary circuits		N
2.10.3.5	Clearances in circuits having starting pulses		N
2.10.3.6	Transients from a.c. mains supply		N
2.10.3.7	Transients from d.c. mains supply		N
2.10.3.8	Transients from telecommunication networks and cable distribution systems		N
2.10.3.9	Measurement of transient voltage levels		N
	a) Transients from a mains supply		N
	For an a.c. mains supply		N
	For a d.c. mains supply		N
	b) Transients from a telecommunication network :		N
2.10.4	Creepage distances		N
2.10.4.1	General		N
2.10.4.2	Material group and comparative tracking index		N
	CTI tests		—
2.10.4.3	Minimum creepage distances		N
2.10.5	Solid insulation		N
2.10.5.1	General		N
2.10.5.2	Distances through insulation		N
2.10.5.3	Insulating compound as solid insulation		N
2.10.5.4	Semiconductor devices		N
2.10.5.5.	Cemented joints		N

IEC 60950-1			
Clause	Requirement + Test	Result - Remark	Verdict
2.10.5.6	Thin sheet material – General		N
2.10.5.7	Separable thin sheet material		N
	Number of layers (pcs)		—
2.10.5.8	Non-separable thin sheet material		N
2.10.5.9	Thin sheet material – standard test procedure		N
	Electric strength test		—
2.10.5.10	Thin sheet material – alternative test procedure		N
	Electric strength test		—
2.10.5.11	Insulation in wound components		N
2.10.5.12	Wire in wound components		N
	Working voltage		N
	a) Basic insulation not under stress		N
	b) Basic, supplementary, reinforced insulation		N
	c) Compliance with Annex U		N
	Two wires in contact inside wound component; angle between 45° and 90°		N
2.10.5.13	Wire with solvent-based enamel in wound components		N
	Electric strength test		—
	Routine test		N
2.10.5.14	Additional insulation in wound components		N
	Working voltage		N
	- Basic insulation not under stress		N
	- Supplementary, reinforced insulation		N
2.10.6	Construction of printed boards		N
2.10.6.1	Uncoated printed boards		N
2.10.6.2	Coated printed boards		N
2.10.6.3	Insulation between conductors on the same inner surface of a printed board		N
2.10.6.4	Insulation between conductors on different layers of a printed board		N
	Distance through insulation		N
	Number of insulation layers (pcs).....		N
2.10.7	Component external terminations		P
2.10.8	Tests on coated printed boards and coated components		N
2.10.8.1	Sample preparation and preliminary inspection		N
2.10.8.2	Thermal conditioning		N

IEC 60950-1			
Clause	Requirement + Test	Result - Remark	Verdict
2.10.8.3	Electric strength test		N
2.10.8.4	Abrasion resistance test		N
2.10.9	Thermal cycling		N
2.10.10	Test for Pollution Degree 1 environment and insulating compound		N
2.10.11	Tests for semiconductor devices and cemented joints		N
2.10.12	Enclosed and sealed parts		N

3	WIRING, CONNECTIONS AND SUPPLY		P
3.1	General		P
3.1.1	Current rating and overcurrent protection	All wires are UL recognized wiring which is PVC insulated, rated VW-1, min. 60°C.	P
3.1.2	Protection against mechanical damage	Wires do not touch sharp edges and heat-sinks which could damage the insulation and cause hazard.	P
3.1.3	Securing of internal wiring	The wires are secured by soldering, solder pins and quick connect terminals so that a loosening of the terminal connection is unlikely.	P
3.1.4	Insulation of conductors	The insulation of the individual conductors are suitable for the application and the working voltage. For the insulation material see 3.1.1.	P
3.1.5	Beads and ceramic insulators	Not used.	N
3.1.6	Screws for electrical contact pressure	No such screws provided.	N
3.1.7	Insulating materials in electrical connections		N
3.1.8	Self-tapping and spaced thread screws	Not used.	N
3.1.9	Termination of conductors		N
	10 N pull test		N
3.1.10	Sleeving on wiring		N
3.2	Connection to a mains supply		N
3.2.1	Means of connection		N
3.2.1.1	Connection to an a.c. mains supply		N
3.2.1.2	Connection to a d.c. mains supply		N
3.2.2	Multiple supply connections		N
3.2.3	Permanently connected equipment		N

IEC 60950-1			
Clause	Requirement + Test	Result - Remark	Verdict
	Number of conductors, diameter of cable and conduits (mm)		—
3.2.4	Appliance inlets		N
3.2.5	Power supply cords		N
3.2.5.1	AC power supply cords		N
	Type		—
	Rated current (A), cross-sectional area (mm ²), AWG		—
3.2.5.2	DC power supply cords		N
3.2.6	Cord anchorages and strain relief		N
	Mass of equipment (kg), pull (N)		—
	Longitudinal displacement (mm)		—
3.2.7	Protection against mechanical damage		N
3.2.8	Cord guards		N
	Diameter or minor dimension D (mm); test mass (g)		—
	Radius of curvature of cord (mm).....		—
3.2.9	Supply wiring space		N
3.3	Wiring terminals for connection of external conductors		N
3.3.1	Wiring terminals		N
3.3.2	Connection of non-detachable power supply cords		N
3.3.3	Screw terminals		N
3.3.4	Conductor sizes to be connected		N
	Rated current (A), cord/cable type, cross-sectional area (mm ²).....		—
3.3.5	Wiring terminal sizes		N
	Rated current (A), type, nominal thread diameter (mm)		—
3.3.6	Wiring terminal design		N
3.3.7	Grouping of wiring terminals		N
3.3.8	Stranded wire		N
3.4	Disconnection from the mains supply		N
3.4.1	General requirement		N
3.4.2	Disconnect devices		N
3.4.3	Permanently connected equipment		N
3.4.4	Parts which remain energized		N

IEC 60950-1			
Clause	Requirement + Test	Result - Remark	Verdict
3.4.5	Switches in flexible cords		N
3.4.6	Number of poles - single-phase and d.c. equipment		N
3.4.7	Number of poles - three-phase equipment		N
3.4.8	Switches as disconnect devices		N
3.4.9	Plugs as disconnect devices		N
3.4.10	Interconnected equipment		N
3.4.11	Multiple power sources		N

3.5	Interconnection of equipment		P
3.5.1	General requirements		P
3.5.2	Types of interconnection circuits	SELV circuits	P
3.5.3	ELV circuits as interconnection circuits		N
3.5.4	Data ports for additional equipment		P

4	PHYSICAL REQUIREMENTS		P
4.1	Stability		N
	Angle of 10°		N
	Test force (N)		N

4.2	Mechanical strength		P
4.2.1	General	After following tests, the sample continues to complying relevant requirements.	P
	Rack-mounted equipment.		N
4.2.2	Steady force test, 10 N		N
4.2.3	Steady force test, 30 N		N
4.2.4	Steady force test, 250 N	250N applied to outer enclosure, no energy or other hazards.	P
4.2.5	Impact test		N
	Fall test		N
	Swing test		N
4.2.6	Drop test; height (mm)	The equipment has been subjected to 3 drops from 1m height on a hard wooden surface. No hazards.	P
4.2.7	Stress relief test	No indication of shrinkage or distortion on plastic enclosure due to the stress relief test (70°C / 7hr).	P

IEC 60950-1			
Clause	Requirement + Test	Result - Remark	Verdict
4.2.8	Cathode ray tubes		N
	Picture tube separately certified		N
4.2.9	High pressure lamps		N
4.2.10	Wall or ceiling mounted equipment; force (N)		N

4.3	Design and construction		P
4.3.1	Edges and corners	All edges and corners are judged to be sufficiently well rounded so as not to constitute hazard.	P
4.3.2	Handles and manual controls; force (N)..... :		N
4.3.3	Adjustable controls		N
4.3.4	Securing of parts	No connection likely to be exposed to mechanical stress.	P
4.3.5	Connection by plugs and sockets		N
4.3.6	Direct plug-in equipment		N
	Torque		—
	Compliance with the relevant mains plug standard		N
4.3.7	Heating elements in earthed equipment		N
4.3.8	Batteries	See below.	P
	- Overcharging of a rechargeable battery	The overcharging voltage and current for battery pack are compatible with electrical characteristics of battery pack. See appended table 4.3.8.and table 5.3	P
	- Unintentional charging of a non-rechargeable battery		N
	- Reverse charging of a rechargeable battery	The battery is not reverse polarity installation is possible due to design of pack.	P
	- Excessive discharging rate for any battery	The excessive discharge current for battery pack is compatible with electrical characteristics of battery pack. See appended table 4.3.8.and table 5.3	P
4.3.9	Oil and grease	No heating elements provided.	N
4.3.10	Dust, powders, liquids and gases	Equipment in intended use not considered to be exposed to these.	N
4.3.11	Containers for liquids or gases	No container for liquid or gas.	N
4.3.12	Flammable liquids	No such flammable liquid.	N

IEC 60950-1			
Clause	Requirement + Test	Result - Remark	Verdict
	Quantity of liquid (l)		N
	Flash point (°C)		N
4.3.13	Radiation		P
4.3.13.1	General		P
4.3.13.2	Ionizing radiation		N
	Measured radiation (pA/kg)		—
	Measured high-voltage (kV)		—
	Measured focus voltage (kV)		—
	CRT markings		—
4.3.13.3	Effect of ultraviolet (UV) radiation on materials		N
	Part, property, retention after test, flammability classification		N
4.3.13.4	Human exposure to ultraviolet (UV) radiation		N
4.3.13.5	Lasers (including laser diodes) and LEDs	Indicator light	P
4.3.13.5.1	Lasers (including laser diodes)		N
	Laser class		—
4.3.13.5.2	Light emitting diodes (LEDs)	Only indicator light	P
4.3.13.6	Other types		N

4.4	Protection against hazardous moving parts		N
4.4.1	General	No moving parts.	N
4.4.2	Protection in operator access areas		N
	Household and home/office document/media shredders		N
4.4.3	Protection in restricted access locations		N
4.4.4	Protection in service access areas		N
4.4.5	Protection against moving fan blades		N
4.4.5.1	General		N
	Not considered to cause pain or injury. a).....:		N
	Is considered to cause pain, not injury. b)		N
	Considered to cause injury. c)		N
4.4.5.2	Protection for users		N
	Use of symbol or warning		N
4.4.5.3	Protection for service persons		N
	Use of symbol or warning		N

IEC 60950-1			
Clause	Requirement + Test	Result - Remark	Verdict
4.5	Thermal requirements		P
4.5.1	General		P
4.5.2	Temperature tests		P
	Normal load condition per Annex L		—
4.5.3	Temperature limits for materials	(see appended table 4.5)	P
4.5.4	Touch temperature limits	(see appended table 4.5)	P
4.5.5	Resistance to abnormal heat		N
4.6	Openings in enclosures		P
4.6.1	Top and side openings	No openings.	N
	Dimensions (mm)		—
4.6.2	Bottoms of fire enclosures		N
	Construction of the bottom, dimensions (mm) ...:		—
4.6.3	Doors or covers in fire enclosures		N
4.6.4	Openings in transportable equipment	See below.	P
4.6.4.1	Constructional design measures	See below.	P
	Dimensions (mm)	No openings.	—
4.6.4.2	Evaluation measures for larger openings		N
4.6.4.3	Use of metallized parts		N
4.6.5	Adhesives for constructional purposes		N
	Conditioning temperature (°C), time (weeks).....:		—
4.7	Resistance to fire		P
4.7.1	Reducing the risk of ignition and spread of flame	Use of materials with the required flammability classes.	P
	Method 1, selection and application of components wiring and materials	Selection and application of components and materials which minimize the possibility of ignition and spread of flame.	P
	Method 2, application of all of simulated fault condition tests	Method 1 used only.	N
4.7.2	Conditions for a fire enclosure		P
4.7.2.1	Parts requiring a fire enclosure		N
4.7.2.2	Parts not requiring a fire enclosure		P
4.7.3	Materials		N
4.7.3.1	General	PCB rated V-1 or better.	N
4.7.3.2	Materials for fire enclosures	See appended table 1.5.1.	N

IEC 60950-1			
Clause	Requirement + Test	Result - Remark	Verdict
4.7.3.3	Materials for components and other parts outside fire enclosures	No such component.	N
4.7.3.4	Materials for components and other parts inside fire enclosures	Inside of the fire enclosures components except small parts are flammability class V-2 or better.	P
4.7.3.5	Materials for air filter assemblies	No air filter provided.	N
4.7.3.6	Materials used in high-voltage components	No high voltage component.	N

5	ELECTRICAL REQUIREMENTS AND SIMULATED ABNORMAL CONDITIONS		P
5.1	Touch current and protective conductor current		N
5.1.1	General		N
5.1.2	Configuration of equipment under test (EUT)		N
5.1.2.1	Single connection to an a.c. mains supply		N
5.1.2.2	Redundant multiple connections to an a.c. mains supply		N
5.1.2.3	Simultaneous multiple connections to an a.c. mains supply		N
5.1.3	Test circuit		N
5.1.4	Application of measuring instrument		N
5.1.5	Test procedure		N
5.1.6	Test measurements		N
	Supply voltage (V)		—
	Measured touch current (mA)		—
	Max. allowed touch current (mA)		—
	Measured protective conductor current (mA)		—
	Max. allowed protective conductor current (mA)....		—
5.1.7	Equipment with touch current exceeding 3,5 mA		N
5.1.7.1	General		N
5.1.7.2	Simultaneous multiple connections to the supply		N
5.1.8	Touch currents to telecommunication networks and cable distribution systems and from telecommunication networks	No TNV circuits.	N
5.1.8.1	Limitation of the touch current to a telecommunication network or to a cable distribution system		N
	Supply voltage (V)		—
	Measured touch current (mA)		—
	Max. allowed touch current (mA)		—

IEC 60950-1			
Clause	Requirement + Test	Result - Remark	Verdict
5.1.8.2	Summation of touch currents from telecommunication networks		N
	a) EUT with earthed telecommunication ports		N
	b) EUT whose telecommunication ports have no reference to protective earth		N

5.2	Electric strength		N
5.2.1	General		N
5.2.2	Test procedure		N

5.3	Abnormal operating and fault conditions		P
5.3.1	Protection against overload and abnormal operation	(See appended table 5.3)	P
5.3.2	Motors	No motor.	N
5.3.3	Transformers	No transformer.	N
5.3.4	Functional insulation.....:	Method a) and c) used, but due to - Components are mounted on PCB rated V-1 or better. - No basic, supplementary or reinforced insulation inside. no test necessary.	P
5.3.5	Electromechanical components	No electromechanical component.	N
5.3.6	Audio amplifiers in ITE	No such functional.	N
5.3.7	Simulation of faults	(see appended table 5.3)	P
5.3.8	Unattended equipment	See below	P
5.3.9	Compliance criteria for abnormal operating and fault conditions	Neither fire burns the equipment nor molten metal.	P
5.3.9.1	During the tests	No fire propagated beyond the equipment. No molten metal was emitted.	P
5.3.9.2	After the tests	Class III equipment.	N

6	CONNECTION TO TELECOMMUNICATION NETWORKS		N
6.1	Protection of telecommunication network service persons, and users of other equipment connected to the network, from hazards in the equipment		N
6.1.1	Protection from hazardous voltages		N
6.1.2	Separation of the telecommunication network from earth		N
6.1.2.1	Requirements		N

IEC 60950-1			
Clause	Requirement + Test	Result - Remark	Verdict
	Supply voltage (V)		—
	Current in the test circuit (mA)		—
6.1.2.2	Exclusions		N
6.2	Protection of equipment users from overvoltages on telecommunication networks		N
6.2.1	Separation requirements		N
6.2.2	Electric strength test procedure		N
6.2.2.1	Impulse test		N
6.2.2.2	Steady-state test		N
6.2.2.3	Compliance criteria		N
6.3	Protection of the telecommunication wiring system from overheating		N
	Max. output current (A)		—
	Current limiting method		—
7	CONNECTION TO CABLE DISTRIBUTION SYSTEMS		N
7.1	General		N
7.2	Protection of cable distribution system service persons, and users of other equipment connected to the system, from hazardous voltages in the equipment		N
7.3	Protection of equipment users from overvoltages on the cable distribution system		N
7.4	Insulation between primary circuits and cable distribution systems		N
7.4.1	General		N
7.4.2	Voltage surge test		N
7.4.3	Impulse test		N
A	ANNEX A, TESTS FOR RESISTANCE TO HEAT AND FIRE		N
A.1	Flammability test for fire enclosures of movable equipment having a total mass exceeding 18 kg, and of stationary equipment (see 4.7.3.2)		N
A.1.1	Samples		—
	Wall thickness (mm)		—
A.1.2	Conditioning of samples; temperature (°C)		N
A.1.3	Mounting of samples		N

IEC 60950-1			
Clause	Requirement + Test	Result - Remark	Verdict
A.1.4	Test flame (see IEC 60695-11-3)		N
	Flame A, B, C or D		—
A.1.5	Test procedure		N
A.1.6	Compliance criteria		N
	Sample 1 burning time (s)		—
	Sample 2 burning time (s)		—
	Sample 3 burning time (s)		—
A.2	Flammability test for fire enclosures of movable equipment having a total mass not exceeding 18 kg, and for material and components located inside fire enclosures (see 4.7.3.2 and 4.7.3.4)		N
A.2.1	Samples, material.....		—
	Wall thickness (mm)		—
A.2.2	Conditioning of samples; temperature (°C)		N
A.2.3	Mounting of samples		N
A.2.4	Test flame (see IEC 60695-11-4)		N
	Flame A, B or C		—
A.2.5	Test procedure		N
A.2.6	Compliance criteria		N
	Sample 1 burning time (s)		—
	Sample 2 burning time (s)		—
	Sample 3 burning time (s)		—
A.2.7	Alternative test acc. to IEC 60695-11-5, cl. 5 and 9		N
	Sample 1 burning time (s)		—
	Sample 2 burning time (s)		—
	Sample 3 burning time (s)		—
A.3	Hot flaming oil test (see 4.6.2)		N
A.3.1	Mounting of samples		N
A.3.2	Test procedure		N
A.3.3	Compliance criterion		N

B	ANNEX B, MOTOR TESTS UNDER ABNORMAL CONDITIONS (see 4.7.2.2 and 5.3.2)		N
B.1	General requirements	No motor provided.	N
	Position		—
	Manufacturer		—
	Type		—
	Rated values		—

IEC 60950-1			
Clause	Requirement + Test	Result - Remark	Verdict
B.2	Test conditions		N
B.3	Maximum temperatures		N
B.4	Running overload test		N
B.5	Locked-rotor overload test		N
	Test duration (days)		—
	Electric strength test: test voltage (V)		—
B.6	Running overload test for d.c. motors in secondary circuits		N
B.6.1	General		N
B.6.2	Test procedure		N
B.6.3	Alternative test procedure		N
B.6.4	Electric strength test; test voltage (V)		N
B.7	Locked-rotor overload test for d.c. motors in secondary circuits		N
B.7.1	General		N
B.7.2	Test procedure		N
B.7.3	Alternative test procedure		N
B.7.4	Electric strength test; test voltage (V)		N
B.8	Test for motors with capacitors		N
B.9	Test for three-phase motors		N
B.10	Test for series motors		N
	Operating voltage (V)		—
C	ANNEX C, TRANSFORMERS (see 1.5.4 and 5.3.3)		N
	Position		—
	Manufacturer		—
	Type		—
	Rated values		—
	Method of protection.....		—
C.1	Overload test		N
C.2	Insulation		N
	Protection from displacement of windings.....		N
D	ANNEX D, MEASURING INSTRUMENTS FOR TOUCH-CURRENT TESTS (see 5.1.4)		N
D.1	Measuring instrument		N
D.2	Alternative measuring instrument		N

IEC 60950-1			
Clause	Requirement + Test	Result - Remark	Verdict
E	ANNEX E, TEMPERATURE RISE OF A WINDING (see 1.4.13)		N
F	ANNEX F, MEASUREMENT OF CLEARANCES AND CREEPAGE DISTANCES (see 2.10 and Annex G)		N
G	ANNEX G, ALTERNATIVE METHOD FOR DETERMINING MINIMUM CLEARANCES		N
G.1	Clearances		N
G.1.1	General		N
G.1.2	Summary of the procedure for determining minimum clearances		N
G.2	Determination of mains transient voltage (V)		N
G.2.1	AC mains supply		N
G.2.2	Earthed d.c. mains supplies		N
G.2.3	Unearthed d.c. mains supplies		N
G.2.4	Battery operation		N
G.3	Determination of telecommunication network transient voltage (V)		N
G.4	Determination of required withstand voltage (V)		N
G.4.1	Mains transients and internal repetitive peaks		N
G.4.2	Transients from telecommunication networks		N
G.4.3	Combination of transients		N
G.4.4	Transients from cable distribution systems		N
G.5	Measurement of transient voltages (V)		N
	a) Transients from a mains supply		N
	For an a.c. mains supply		N
	For a d.c. mains supply		N
	b) Transients from a telecommunication network		N
G.6	Determination of minimum clearances		N
H	ANNEX H, IONIZING RADIATION (see 4.3.13)		N
J	ANNEX J, TABLE OF ELECTROCHEMICAL POTENTIALS (see 2.6.5.6)		N
	Metal(s) used		—
K	ANNEX K, THERMAL CONTROLS (see 1.5.3 and 5.3.8)		N
K.1	Making and breaking capacity	No thermal limiter or thermostat	N

IEC 60950-1			
Clause	Requirement + Test	Result - Remark	Verdict
K.2	Thermostat reliability; operating voltage (V)		N
K.3	Thermostat endurance test; operating voltage (V)		N
K.4	Temperature limiter endurance; operating voltage (V)		N
K.5	Thermal cut-out reliability		N
K.6	Stability of operation		N

L	ANNEX L, NORMAL LOAD CONDITIONS FOR SOME TYPES OF ELECTRICAL BUSINESS EQUIPMENT (see 1.2.2.1 and 4.5.2)		P
L.1	Typewriters		N
L.2	Adding machines and cash registers		N
L.3	Erasers		N
L.4	Pencil sharpeners		N
L.5	Duplicators and copy machines		N
L.6	Motor-operated files		N
L.7	Other business equipment	Maximum normal load.	P

M	ANNEX M, CRITERIA FOR TELEPHONE RINGING SIGNALS (see 2.3.1)		N
M.1	Introduction		N
M.2	Method A		N
M.3	Method B		N
M.3.1	Ringling signal		N
M.3.1.1	Frequency (Hz)		—
M.3.1.2	Voltage (V)		—
M.3.1.3	Cadence; time (s), voltage (V)		—
M.3.1.4	Single fault current (mA)		—
M.3.2	Tripping device and monitoring voltage		N
M.3.2.1	Conditions for use of a tripping device or a monitoring voltage		N
M.3.2.2	Tripping device		N
M.3.2.3	Monitoring voltage (V)		N

N	ANNEX N, IMPULSE TEST GENERATORS (see 1.5.7.2, 1.5.7.3, 2.10.3.9, 6.2.2.1, 7.3.2, 7.4.3 and Clause G.5)		N
N.1	ITU-T impulse test generators		N
N.2	IEC 60065 impulse test generator		N

IEC 60950-1			
Clause	Requirement + Test	Result - Remark	Verdict
P	ANNEX P, NORMATIVE REFERENCES		—
Q	ANNEX Q, Voltage dependent resistors (VDRs) (see 1.5.9.1)		N
	- Preferred climatic categories		N
	- Maximum continuous voltage		N
	- Combination pulse current		N
	Body of the VDR Test according to IEC60695-11-5.....		N
	Body of the VDR. Flammability class of material (min V-1).....		N
R	ANNEX R, EXAMPLES OF REQUIREMENTS FOR QUALITY CONTROL PROGRAMMES		N
R.1	Minimum separation distances for unpopulated coated printed boards (see 2.10.6.2)		N
R.2	Reduced clearances (see 2.10.3)		N
S	ANNEX S, PROCEDURE FOR IMPULSE TESTING (see 6.2.2.3)		N
S.1	Test equipment		N
S.2	Test procedure		N
S.3	Examples of waveforms during impulse testing		N
T	ANNEX T, GUIDANCE ON PROTECTION AGAINST INGRESS OF WATER (see 1.1.2)		N
			—
U	ANNEX U, INSULATED WINDING WIRES FOR USE WITHOUT INTERLEAVED INSULATION (see 2.10.5.4)		N
			—
V	ANNEX V, AC POWER DISTRIBUTION SYSTEMS (see 1.6.1)		N
V.1	Introduction		N
V.2	TN power distribution systems		N
W	ANNEX W, SUMMATION OF TOUCH CURRENTS		N
W.1	Touch current from electronic circuits		N
W.1.1	Floating circuits		N
W.1.2	Earthed circuits		N

IEC 60950-1			
Clause	Requirement + Test	Result - Remark	Verdict
W.2	Interconnection of several equipments		N
W.2.1	Isolation		N
W.2.2	Common return, isolated from earth		N
W.2.3	Common return, connected to protective earth		N
X	ANNEX X, MAXIMUM HEATING EFFECT IN TRANSFORMER TESTS (see clause C.1)		N
X.1	Determination of maximum input current		N
X.2	Overload test procedure		N
Y	ANNEX Y, ULTRAVIOLET LIGHT CONDITIONING TEST (see 4.3.13.3)		N
Y.1	Test apparatus		N
Y.2	Mounting of test samples		N
Y.3	Carbon-arc light-exposure apparatus		N
Y.4	Xenon-arc light exposure apparatus		N
Z	ANNEX Z, OVERVOLTAGE CATEGORIES (see 2.10.3.2 and Clause G.2)		P
AA	ANNEX AA, MANDREL TEST (see 2.10.5.8)		N
BB	ANNEX BB, CHANGES IN THE SECOND EDITION		—
CC	ANNEX CC, Evaluation of integrated circuit (IC) current limiters		N
CC.1	General		N
CC.2	Test program 1.....		N
CC.3	Test program 2.....		N
CC.4	Test program 3.....		N
CC.5	Compliance.....		N
DD	ANNEX DD, Requirements for the mounting means of rack-mounted equipment		N
DD.1	General		N
DD.2	Mechanical strength test, variable N.....		N
DD.3	Mechanical strength test, 250N, including end stops.....		N
DD.4	Compliance.....		N
EE	ANNEX EE, Household and home/office document/media shredders		N

IEC 60950-1			
Clause	Requirement + Test	Result - Remark	Verdict
EE.1	General		N
EE.2	Markings and instructions		N
	Use of markings or symbols.....:		N
	Information of user instructions, maintenance and/or servicing instructions.....:		N
EE.3	Inadvertent reactivation test.....:		N
EE.4	Disconnection of power to hazardous moving parts:		N
	Use of markings or symbols.....:		N
EE.5	Protection against hazardous moving parts		N
	Test with test finger (Figure 2A)		N
	Test with wedge probe (Figure EE1 and EE2):		N

IEC 60950-1

1.5.1	TABLE: List of critical components					P
Object/part No.	Manufacturer/ trademark	Type/model	Technical data	Standard (Edition / year)	Mark(s) of conformity ¹⁾	
Plastic Enclosure	CHANGSHU HENGRUI PLASTIC CO LTD	765A	V-0, 60°C, min. 3.2mm thickness.	UL 94	UL	
PCB	Interchangeable	Interchangeable	Min. V-1, Min. 105°C	UL 796, UL94	UL	
Battery	Shenzhen Weiliyuan Electronics CO., Ltd.	602040	3.7V, 400mAh, Max. charge and discharge current: 0.4A	IEC/EN 62133	TUV RH (Report No.: 50110647 001)	
Speaker	Interchangeable	Interchangeable	4 ohm, 3W	--	--	
Supplementary information:						
¹⁾ Provided evidence ensures the agreed level of compliance. See OD-CB2039.						

1.5.1	TABLE: Opto Electronic Devices	N
Manufacturer.....: --		
Type.....: --		
Separately tested.....: --		
Bridging insulation.....: --		
External creepage distance.....: --		
Internal creepage distance.....: --		
Distance through insulation.....: --		
Tested under the following conditions.....: --		
Input.....: --		
Output.....: --		
supplementary information		

1.6.2	TABLE: Electrical data (in normal conditions)						P
U (V)	I (A)	Irated (A)	P (W)	Fuse #	Ifuse (A)	Condition/status	
5VDC	0.86	2	4.3	--	--	Charging for Empty battery by USB port and output load 5Vdc/1A.	
3.7VDC	0.38 (Battery)	--	1.41	--	--	Speaker with 1/8 of max. non- clipped output power powered by	

IEC 60950-1

battery.
Supplementary information: --

2.1.1.5 c) 1)	TABLE: max. V, A, VA test				N
Voltage (rated) (V)	Current (rated) (A)	Voltage (max.) (V)	Current (max.) (A)	VA (max.) (VA)	
--	--	--	--	--	
supplementary information: --					

2.1.1.5 c) 2)	TABLE: stored energy		N
Capacitance C (μ F)	Voltage U (V)	Energy E (J)	
supplementary information:			

2.2	TABLE: evaluation of voltage limiting components in SELV circuits			N
Component (measured between)		max. voltage (V) (normal operation)		Voltage Limiting Components
		V peak	V d.c.	
Fault test performed on voltage limiting components		Voltage measured (V) in SELV circuits (V peak or V d.c.)		
supplementary information:				

2.5	TABLE: Limited power sources					P
Circuit output tested: Battery output "+" to "-"						
Note: Measured Uoc (V) with all load circuits disconnected: See below						
Components	Test condition (Single fault)	Uoc (V)	I _{sc} (A)		VA	
			Meas.	Limit	Meas.	Limit
Battery output	Normal	4.21	2.8	8	8.4	100
supplementary information:						
Sc=Short circuit, Oc=Open circuit						

2.10.2	Table: working voltage measurement	N
---------------	---	---

IEC 60950-1

2.10.2	Table: working voltage measurement			N
Location	RMS voltage (V)	Peak voltage (V)	Comments	
supplementary information:				

2.10.3 and 2.10.4	TABLE: Clearance and creepage distance measurements						N
Clearance (cl) and creepage distance (cr) at/of/between:	U peak (V)	U r.m.s. (V)	Required cl (mm)	cl (mm)	Required cr (mm)	cr (mm)	
Functional:							
Basic/supplementary:							
Reinforced:							
Supplementary information:							

2.10.5	TABLE: Distance through insulation measurements					N
Distance through insulation (DTI) at/of:	U peak (V)	U rms (V)	Test voltage (V)	Required DTI (mm)	DTI (mm)	
Supplementary information:						

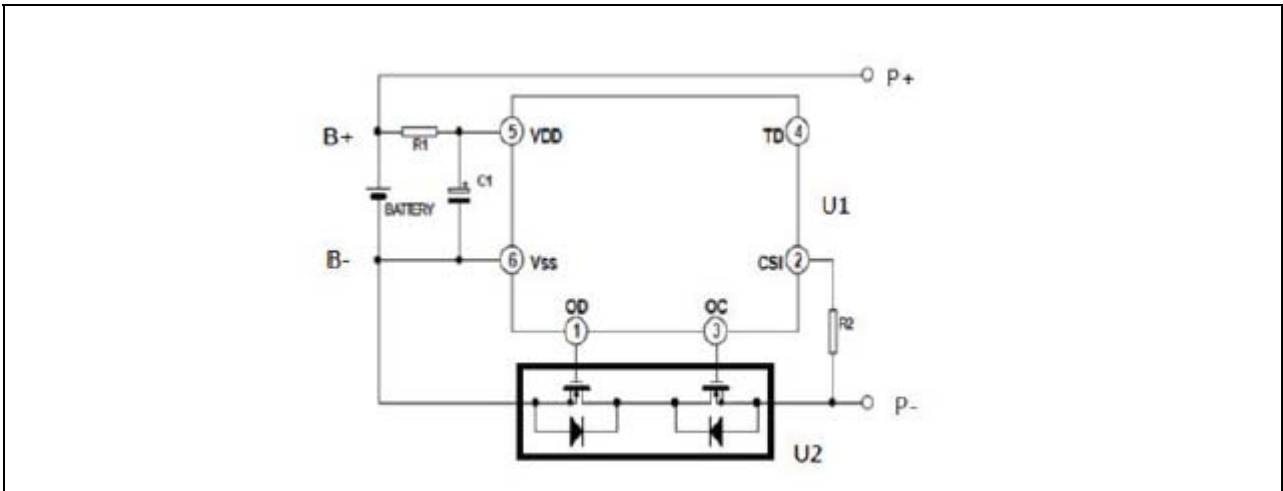
4.3.8	TABLE: Batteries								P
The tests of 4.3.8 are applicable only when appropriate battery data is not available							--		P
Is it possible to install the battery in a reverse polarity position?							--		P
	Non-rechargeable batteries			Rechargeable batteries					
	Discharging		Un-intentional charging	Charging		Discharging		Reversed charging	
	Meas. current	Manuf. Specs.		Meas. current	Manuf. Specs.	Meas. current	Manuf. Specs.	Meas. current	Manuf. Specs.
Max. current during normal condition	--	--	--	0.38	0.4A	0.38A	0.4A	--	--

IEC 60950-1

4.3.8		TABLE: Batteries							P	
The tests of 4.3.8 are applicable only when appropriate battery data is not available							--		P	
Is it possible to install the battery in a reverse polarity position?							--		P	
	Non-rechargeable batteries			Rechargeable batteries						
	Discharging		Un-intentional charging	Charging		Discharging		Reversed charging		
	Meas. current	Manuf. Specs.		Meas. current	Manuf. Specs.	Meas. current	Manuf. Specs.	Meas. current	Manuf. Specs.	
Max. current during fault condition (Battery P- to B-short-circuit)	--	--	--	0.38	0.4A	0.38A	0.4A	--	--	
Test results:							--		Verdict	
- Chemical leaks							No		P	
- Explosion of the battery							No		P	
- Emission of flame or expulsion of molten metal							No		P	
- Electric strength tests of equipment after completion of tests							--		N	
Supplementary information:										

4.3.8		TABLE: Batteries							P	
Battery category.....: Li-ion Battery										
Manufacturer.....: See table 1.5.1.										
Type / model.....: See table 1.5.1.										
Voltage.....: See table 1.5.1.										
Capacity.....: See table 1.5.1.										
Tested and Certified by (incl. Ref. No.).....: See table 1.5.1.										
Circuit protection diagram: See below										

IEC 60950-1



MARKINGS AND INSTRUCTIONS (1.7.13)	
Location of replaceable battery	No such battery
Language(s)	N
Close to the battery	N
In the servicing instructions	N
In the operating instructions	N

4.5	TABLE: Thermal requirements			P
	Supply voltage (V)	Charging for empty battery	Discharging by full battery	—
	Ambient T_{min} (°C)	--	--	—
	Ambient T_{max} (°C)	--	--	—
	Maximum measured temperature T of part/at.....:	T (°C)		Allowed T_{max} (°C)
	Plastic enclosure outside near Battery	43.2	42.4	95
	Plastic enclosure inside near Battery	46.5	44.7	--
	PCB near U4	56.8	49.4	105
	PCB near U1	53.2	57.5	105
	PCB near Q5	54.9	52.8	105
	PCB near U5	55.4	52.4	105
	PCB near TF1	60.4	55.3	105
	PCB near USB4	55.1	50.0	105
	Winding	56.7	44.0	105
	Battery body	49.9	52.0	--
	Battery Protection board	49.4	52.1	105
	Ambient	40.0	40.0	--
Supplementary information:				

IEC 60950-1							
Temperature T of winding:	t ₁ (°C)	R ₁ (Ω)	t ₂ (°C)	R ₂ (Ω)	T (°C)	Allowed T _{max} (°C)	Insulation class
--	--	--	--	--	--	--	--
Supplementary information: --							

4.5.5	TABLE: Ball pressure test of thermoplastic parts				N
	Allowed impression diameter (mm)			≤ 2 mm	—
Part			Test temperature (°C)	Impression diameter (mm)	
Supplementary information:					

4.7	TABLE: Resistance to fire					N
Part	Manufacturer of material	Type of material	Thickness (mm)	Flammability class	Evidence	
Supplementary information:						

5.1	TABLE: touch current measurement			N
Measured between:	Measured (mA)	Limit (mA)	Comments/conditions	
supplementary information:				

5.2	TABLE: Electric strength tests, impulse tests and voltage surge tests				N
Test voltage applied between:			Voltage shape (AC, DC, impulse, surge)	Test voltage (V)	Breakdown Yes / No
Functional:					
Basic/supplementary:					
Reinforced:					
Supplementary information:					

5.3	TABLE: Fault condition tests				P
-----	------------------------------	--	--	--	---

IEC 60950-1

Ambient temperature (°C)		25°C unless otherwise specified		—		
Power source for EUT: Manufacturer, model/type, output rating		--		—		
Component No.	Fault	Supply voltage (V)	Test time	Fuse #	Fuse current (A)	Observation
Battery (Battery B-to P-)	Over charge	5VDC	7H	--	--	Unit works as normal, and no damage, no hazard.
Speaker	s-c	5VDC	10 mins	--	--	Unit shut down immediately, and recoverable, no hazard.
Battery (Battery B-to P-)	Over discharge	3.7VDC	7H	--	--	Unit works as normal, and no damage, no hazard.
Speaker	s-c	3.7VDC	10 mins	--	--	Unit shut down immediately, and recoverable, no hazard.
Speaker	max. non-clipped output power	5VDC	2H	--	--	Unit works as normal, and no damage, no hazard.
Supplementary information: --						

C.2		TABLE: transformers						N
Loc.	Tested insulation	Working voltage peak / V (2.10.2)	Working voltage rms / V (2.10.2)	Required electric strength (5.2)	Required clearance / mm (2.10.3)	Required creepage distance / mm (2.10.4)	Required distance thr. insul. (2.10.5)	
Loc.	Tested insulation			Test voltage / V	Measured clearance / mm	Measured creepage dist. / mm	Measured distance thr. insul. / mm; number of layers	
supplementary information:								

C.2		TABLE: transformers						N
Transformer								

=====End of Report =====


IEC 60950-1 – Attachment			
Clause	Requirement + Test	Result - Remark	Verdict
IEC 60950-1, GROUP DIFFERENCES (CENELEC common modifications EN)			
	Clauses, subclauses, notes, tables and figures which are additional to those in IEC60950-1 and it's amendmets are prefixed "Z"		P
Contents (A2:2013)	Add the following annexes: Annex ZA (normative) Normative references to international publications with their corresponding European publications Annex ZB (normative) Special national conditions Annex ZD (informative) IEC and CENELEC code designations for flexible cords		P
General	Delete all the "country" notes in the reference document (IEC 60950-1:2005) according to the following list: 1.4.8 Note 2 1.5.1 Note 2 & 3 1.5.7.1 Note 1.5.8 Note 2 1.5.9.4 Note 1.7.2.1 Note 4, 5 & 6 2.2.3 Note 2.2.4 Note 2.3.2 Note 2.3.2.1 Note 2 2.3.4 Note 2 2.6.3.3 Note 2 & 3 2.7.1 Note 2.10.3.2 Note 2 2.10.5.13 Note 3 3.2.1.1 Note 3.2.4 Note 3. 2.5.1 Note 2 4.3.6 Note 1 & 2 4.7 Note 4 4.7.2.2 Note 4.7.3.1Note 2 5.1.7.1 Note 3 & 4 5.3.7 Note 1 6 Note 2 & 5 6.1.2.1 Note 2 6.1.2.2 Note 6.2.2 Note 6.2.2.1 Note 2 6.2.2.2 Note 7.1 Note 3 7.2 Note 7.3 Note 1 & 2 G.2.1 Note 2 Annex H Note 2		P
General (A1:2010)	Delete all the "country" notes in the reference document (IEC 60950-1:2005/A1:2010) according to the following list: 1.5.7.1 Note 6.1.2.1 Note 2 6.2.2.1 Note 2 EE.3 Note		P
General (A2:2013)	Delete all the "country" notes in the reference document (IEC 60950-1:2005/A2:2013) according to the following list: 2.7.1 Note * 2.10.3.1 Note 2 6.2.2. Note * Note of secretary: Text of Common Modification remains unchanged.		P
1.1.1 (A1:2010)	Replace the text of NOTE 3 by the following. NOTE 3 The requirements of EN 60065 may also be used to meet safety requirements for multimedia equipment. See IEC Guide 112, Guide on the safety of multimedia equipment. For television sets EN 60065 applies.		P

IEC 60950-1 – Attachment			
Clause	Requirement + Test	Result - Remark	Verdict
1.3.Z1	<p>Add the following subclause:</p> <p>1.3.Z1 Exposure to excessive sound pressure</p> <p>The apparatus shall be so designed and constructed as to present no danger when used for its intended purpose, either in normal operating conditions or under fault conditions, particularly providing protection against exposure to excessive sound pressures from headphones or earphones.</p> <p>NOTE Z1 A new method of measurement is described in EN 50332-1, Sound system equipment:</p> <p>Headphones and earphones associated with portable audio equipment - Maximum sound pressure level measurement methodology and limit considerations - Part 1: General method for “one package equipment”, and in EN 50332-2, Sound system equipment: Headphones and earphones associated with portable audio equipment - Maximum sound pressure level measurement methodology and limit considerations - Part 2: Guidelines to associate sets with headphones coming from different manufacturers.</p>		N
(A12:2011)	<p>In EN 60950-1:2006/A12:2011</p> <p>Delete the addition of 1.3.Z1 / EN 60950-1:2006</p> <p>Delete the definition 1.2.3.Z1 / EN 60950-1:2006 /A1:2010</p>		N
1.5.1 (Added info*)	<p>Add the following NOTE:</p> <p>NOTE Z1 The use of certain substances in electrical and electronic equipment is restricted within the EU: see Directive 2002/95/EC. New Directive 2011/65/11 *</p>		P
1.7.2.1 (A1:2010)	<p>In addition, for a PORTABLE SOUND SYSTEM, the instructions shall include a warning that excessive sound pressure from earphones and headphones can cause hearing loss.</p>		N
1.7.2.1 (A12:2011)	<p>In EN 60950-1:2006/A12:2011</p> <p>Delete NOTE Z1 and the addition for Portable Sound System.</p> <p>Add the following clause and annex to the existing standard and amendments.</p>		N
	Zx Protection against excessive sound pressure from personal music players		N

IEC 60950-1 – Attachment			
Clause	Requirement + Test	Result - Remark	Verdict
	<p>Zx.1 General</p> <p>This sub-clause specifies requirements for protection against excessive sound pressure from personal music players that are closely coupled to the ear. It also specifies requirements for earphones and headphones intended for use with personal music players.</p> <p>A personal music player is a portable equipment for personal use, that:</p> <ul style="list-style-type: none"> – is designed to allow the user to listen to recorded or broadcast sound or video; and – primarily uses headphones or earphones that can be worn in or on or around the ears; and – allows the user to walk around while in use. <p>NOTE 1 Examples are hand-held or body-worn portable CD players, MP3 audio players, mobile phones with MP3 type features, PDA's or similar equipment.</p> <p>A personal music player and earphones or headphones intended to be used with personal music players shall comply with the requirements of this sub-clause.</p> <p>The requirements in this sub-clause are valid for music or video mode only.</p> <p>The requirements do not apply:</p> <ul style="list-style-type: none"> – while the personal music player is connected to an external amplifier; or – while the headphones or earphones are not used. <p>NOTE 2 An external amplifier is an amplifier which is not part of the personal music player or the listening device, but which is intended to play the music as a standalone music player.</p> <p>The requirements do not apply to:</p> <ul style="list-style-type: none"> – hearing aid equipment and professional equipment; <p>NOTE 3 Professional equipment is equipment sold through special sales channels. All products sold through normal electronics stores are considered not to be professional equipment.</p>		N

IEC 60950-1 – Attachment			
Clause	Requirement + Test	Result - Remark	Verdict
	<p>– analogue personal music players (personal music players without any kind of digital processing of the sound signal) that are brought to the market before the end of 2015.</p> <p>NOTE 4 This exemption has been allowed because this technology is falling out of use and it is expected that within a few years it will no longer exist. This exemption will not be extended to other technologies.</p> <p>For equipment which is clearly designed or intended for use by young children, the limits of EN 71-1 apply.</p>		N
	<p>Zx.2 Equipment requirements</p> <p>No safety provision is required for equipment that complies with the following:</p> <ul style="list-style-type: none"> – equipment provided as a package (personal music player with its listening device), where the acoustic output $L_{Aeq,T}$ is ≤ 85 dBA measured while playing the fixed “programme simulation noise” as described in EN 50332-1; and – a personal music player provided with an analogue electrical output socket for a listening device, where the electrical output is ≤ 27 mV measured as described in EN 50332-2, while playing the fixed “programme simulation noise” as described in EN 50332-1. <p>NOTE 1 Wherever the term acoustic output is used in this clause, the 30 s A-weighted equivalent sound pressure level $L_{Aeq,T}$ is meant. See also Zx.5 and Annex Zx.</p> <p>All other equipment shall:</p> <ol style="list-style-type: none"> a) protect the user from unintentional acoustic outputs exceeding those mentioned above; and b) have a standard acoustic output level not exceeding those mentioned above, and automatically return to an output level not exceeding those mentioned above when the power is switched off; and 		N

IEC 60950-1 – Attachment			
Clause	Requirement + Test	Result - Remark	Verdict
	<p>c) provide a means to actively inform the user of the increased sound pressure when the equipment is operated with an acoustic output exceeding those mentioned above. Any means used shall be acknowledged by the user before activating a mode of operation which allows for an acoustic output exceeding those mentioned above. The acknowledgement does not need to be repeated more than once every 20 h of cumulative listening time; and</p> <p>NOTE 2 Examples of means include visual or audible signals. Action from the user is always required.</p> <p>NOTE 3 The 20 h listening time is the accumulative listening time, independent how often and how long the personal music player has been switched off.</p> <p>d) have a warning as specified in Zx.3; and</p> <p>e) not exceed the following:</p> <p>1) equipment provided as a package (player with its listening device), the acoustic output shall be ≤ 100 dBA measured while playing the fixed “programme simulation noise” described in EN 50332-1; and</p> <p>2) a personal music player provided with an analogue electrical output socket for a listening device, the electrical output shall be ≤ 150 mV measured as described in EN 50332-2, while playing the fixed “programme simulation noise” described in EN 50332-1.</p> <p>For music where the average sound pressure (long term LAeq,T) measured over the duration of the song is lower than the average produced by the programme simulation noise, the warning does not need to be given as long as the average sound pressure of the song is below the basic limit of 85 dBA. In this case T becomes the duration of the song.</p> <p>NOTE 4 Classical music typically has an average sound pressure (long term LAeq,T) which is much lower than the average programme simulation noise. Therefore, if the player is capable to analyse the song and compare it with the programme simulation noise, the warning does not need to be given as long as the average sound pressure of the song is below the basic limit of 85 dBA.</p> <p>For example, if the player is set with the programme simulation noise to 85 dBA, but the average music level of the song is only 65 dBA, there is no need to give a warning or ask an acknowledgement as long as the average sound level of the song is not above the basic limit of 85 dBA.</p>		N

IEC 60950-1 – Attachment			
Clause	Requirement + Test	Result - Remark	Verdict
	<p>Zx.3 Warning</p> <p>The warning shall be placed on the equipment, or on the packaging, or in the instruction manual and shall consist of the following:</p> <ul style="list-style-type: none"> – the symbol of Figure 1 with a minimum height of 5 mm; and – the following wording, or similar: <p>“To prevent possible hearing damage, do not listen at high volume levels for long periods.”</p> <div style="text-align: center;">  </div> <p>Figure 1 – Warning label (IEC 60417-6044)</p> <p>Alternatively, the entire warning may be given through the equipment display during use, when the user is asked to acknowledge activation of the higher level.</p>		N
	<p>Zx.4 Requirements for listening devices (headphones and earphones)</p>		N
	<p>Zx.4.1 Wired listening devices with analogue input</p> <p>With 94 dBA sound pressure output LAeq,T, the input voltage of the fixed “programme simulation noise” described in EN 50332-2 shall be ≥ 75 mV.</p> <p>This requirement is applicable in any mode where the headphones can operate (active or passive), including any available setting (for example built-in volume level control).</p> <p>NOTE The values of 94 dBA – 75 mV correspond with 85dBA – 27 mV and 100 dBA – 150 mV.</p>		N

IEC 60950-1 – Attachment			
Clause	Requirement + Test	Result - Remark	Verdict
	<p>Zx.4.2 Wired listening devices with digital input With any playing device playing the fixed “programme simulation noise” described in EN 50332-1 (and respecting the digital interface standards, where a digital interface standard exists that specifies the equivalent acoustic level), the acoustic output LAeq,T of the listening device shall be ≤ 100 dBA.</p> <p>This requirement is applicable in any mode where the headphones can operate, including any available setting (for example built-in volume level control, additional sound feature like equalization, etc.).</p> <p>NOTE An example of a wired listening device with digital input is a USB headphone.</p>		N
	<p>Zx.4.3 Wireless listening devices In wireless mode:</p> <ul style="list-style-type: none"> – with any playing and transmitting device playing the fixed programme simulation noise described in EN 50332-1; and – respecting the wireless transmission standards, where an air interface standard exists that specifies the equivalent acoustic level; and – with volume and sound settings in the listening device (for example built-in volume level control, additional sound feature like equalization, etc.) set to the combination of positions that maximize the measured acoustic output for the abovementioned programme simulation noise, the acoustic output LAeq,T of the listening device shall be ≤ 100 dBA. <p>NOTE An example of a wireless listening device is a Bluetooth headphone.</p>		N
	<p>Zx.5 Measurement methods Measurements shall be made in accordance with EN 50332-1 or EN 50332-2 as applicable. Unless stated otherwise, the time interval T shall be 30 s.</p> <p>NOTE Test method for wireless equipment provided without listening device should be defined.</p>		N

IEC 60950-1 – Attachment									
Clause	Requirement + Test	Result - Remark	Verdict						
2.7.1	<p>Replace the subclause as follows:</p> <p>Basic requirements</p> <p>To protect against excessive current, short-circuits and earth faults in PRIMARY CIRCUITS, protective devices shall be included either as integral parts of the equipment or as parts of the building installation, subject to the following, a), b) and c):</p> <p>a) except as detailed in b) and c), protective devices necessary to comply with the requirements of 5.3 shall be included as parts of the equipment;</p> <p>b) for components in series with the mains input to the equipment such as the supply cord, appliance coupler, r.f.i. filter and switch, short-circuit and earth fault protection may be provided by protective devices in the building installation;</p>		N						
	<p>c) it is permitted for PLUGGABLE EQUIPMENT TYPE B or PERMANENTLY CONNECTED EQUIPMENT, to rely on dedicated overcurrent and short-circuit protection in the building installation, provided that the means of protection, e.g. fuses or circuit breakers, is fully specified in the installation instructions.</p> <p>If reliance is placed on protection in the building installation, the installation instructions shall so state, except that for PLUGGABLE EQUIPMENT TYPE A the building installation shall be regarded as providing protection in accordance with the rating of the wall socket outlet.</p>		N						
2.7.2	This subclause has been declared 'void'.		N						
3.2.3	Delete the NOTE in Table 3A, and delete also in this table the conduit sizes in parentheses.		N						
3.2.5.1	<p>Replace "60245 IEC 53" by "H05 RR-F";</p> <p>"60227 IEC 52" by "H03 VV-F or H03 VVH2-F";</p> <p>"60227 IEC 53" by "H05 VV-F or H05 VVH2-F2".</p> <p>In Table 3B, replace the first four lines by the following:</p> <table border="0"> <tr> <td>Up to and including 6 </td> <td>0,75^{a)} </td> </tr> <tr> <td>Over 6 up to and including 10 </td> <td>(0,75)^{b)} 1,0 </td> </tr> <tr> <td>Over 10 up to and including 16 </td> <td>(1,0)^{c)} 1,5 </td> </tr> </table> <p>In the conditions applicable to Table 3B delete the words "in some countries" in condition^{a)}.</p> <p>In NOTE 1, applicable to Table 3B, delete the second sentence.</p>	Up to and including 6	0,75 ^{a)}	Over 6 up to and including 10	(0,75) ^{b)} 1,0	Over 10 up to and including 16	(1,0) ^{c)} 1,5		N
Up to and including 6	0,75 ^{a)}								
Over 6 up to and including 10	(0,75) ^{b)} 1,0								
Over 10 up to and including 16	(1,0) ^{c)} 1,5								
3.2.5.1 (A2:2013)	NOTE Z1 The harmonised code designations corresponding to the IEC cord types are given in Annex ZD		N						

IEC 60950-1 – Attachment			
Clause	Requirement + Test	Result - Remark	Verdict
3.3.4	In Table 3D, delete the fourth line: conductor sizes for 10 to 13 A, and replace with the following: Over 10 up to and including 16 1,5 to 2,5 1,5 to 4 Delete the fifth line: conductor sizes for 13 to 16 A		N
4.3.13.6 (A1:2010)	Replace the existing NOTE by the following: NOTE Z1 Attention is drawn to: 1999/519/EC: Council Recommendation on the limitation of exposure of the general public to electromagnetic fields 0 Hz to 300 GHz, and 2006/25/EC: Directive on the minimum health and safety requirements regarding the exposure of workers to risks arising from physical agents (artificial optical radiation).		N
	Standards taking into account mentioned Recommendation and Directive which demonstrate compliance with the applicable EU Directive are indicated in the OJEC.		N
Annex H	Replace the last paragraph of this annex by: At any point 10 cm from the surface of the OPERATOR ACCESS AREA, the dose rate shall not exceed 1 μ Sv/h (0,1 mR/h) (see NOTE). Account is taken of the background level. Replace the notes as follows: NOTE These values appear in Directive 96/29/Euratom. Delete NOTE 2.		N
Bibliography	Additional EN standards.		—

ZA	NORMATIVE REFERENCES TO INTERNATIONAL PUBLICATIONS WITH THEIR CORRESPONDING EUROPEAN PUBLICATIONS	—
-----------	--	---

ZB ANNEX (normative) SPECIAL NATIONAL CONDITIONS (EN)			
1.2.4.1	In Denmark , certain types of Class I appliances (see 3.2.1.1) may be provided with a plug not establishing earthing conditions when inserted into Danish socket-outlets.		N
1.2.13.14 (A11:2009)	In Norway and Sweden , for requirements see 1.7.2.1 and 7.3 of this annex.		N
1.5.7.1 (A11:2009)	In Finland, Norway and Sweden , resistors bridging BASIC INSULATION in CLASS I PLUGGABLE EQUIPMENT TYPE A must comply with the requirements in 1.5.7.1. In addition when a single resistor is used, the resistor must withstand the resistor test in 1.5.7.2.		N

IEC 60950-1 – Attachment			
Clause	Requirement + Test	Result - Remark	Verdict
1.5.8	In Norway , due to the IT power system used (see annex V, Figure V.7), capacitors are required to be rated for the applicable line-to-line voltage (230 V).		N
1.5.9.4	In Finland, Norway and Sweden , the third dashed sentence is applicable only to equipment as defined in 6.1.2.2 of this annex.		N
1.7.2.1	In Finland, Norway and Sweden , CLASS I PLUGGABLE EQUIPMENT TYPE A intended for connection to other equipment or a network shall, if safety relies on connection to protective earth or if surge suppressors are connected between the network terminals and accessible parts, have a marking stating that the equipment must be connected to an earthed mains socket-outlet. The marking text in the applicable countries shall be as follows: In Finland : "Laite on liitettävä suojakoskettimilla varustettuun pistorasiaan" In Norway : "Apparatet må tilkoples jordet stikkontakt" In Sweden : "Apparaten skall anslutas till jordat uttag"		N
1.7.2.1 (A11:2009)	In Norway and Sweden , the screen of the cable distribution system is normally not earthed at the entrance of the building and there is normally no equipotential bonding system within the building. Therefore the protective earthing of the building installation need to be isolated from the screen of a cable distribution system. It is however accepted to provide the insulation external to the equipment by an adapter or an interconnection cable with galvanic isolator, which may be provided by e.g. a retailer. The user manual shall then have the following or similar information in Norwegian and Swedish language respectively, depending on in what country the equipment is intended to be used in: "Equipment connected to the protective earthing of the building installation through the mains connection or through other equipment with a connection to protective earthing – and to a cable distribution system using coaxial cable, may in some circumstances create a fire hazard. Connection to a cable distribution system has therefore to be provided through a device providing electrical isolation below a certain frequency range (galvanic isolator, see EN 60728-11)."		

IEC 60950-1 – Attachment			
Clause	Requirement + Test	Result - Remark	Verdict
	<p>NOTE In Norway, due to regulation for installations of cable distribution systems, and in Sweden, a galvanic isolator shall provide electrical insulation below 5 MHz. The insulation shall withstand a dielectric strength of 1,5 kV r.m.s., 50 Hz or 60 Hz, for 1 min.</p> <p>Translation to Norwegian (the Swedish text will also be accepted in Norway):</p> <p>“Utstyr som er koplet til beskyttelsesjord via nettplugg og/eller via annet jordtilkoplest utstyr – og er tilkoplest et kabel-TV nett, kan forårsake brannfare. For å unngå dette skal det ved tilkopling av utstyret til kabel-TV nettet installeres en galvanisk isolator mellom utstyret og kabel-TV nettet.”</p> <p>Translation to Swedish:</p> <p>”Utrustning som är kopplad till skyddsjord via jordat vägguttag och/eller via annan utrustning och samtidigt är kopplad till kabel-TV nät kan i vissa fall medföra risk för brand. För att undvika detta skall vid anslutning av utrustningen till kabel-TV nät galvanisk isolator finnas mellan utrustningen och kabel-TV nätet.”</p>		N
1.7.2.1 (A2:2013)	<p>In Denmark, CLASS I PLUGGABLE EQUIPMENT TYPE A intended for connection to other equipment or a network shall, if safety relies on connection to protective earth or if surge suppressors are connected between the network terminals and accessible parts, have a marking stating that the equipment must be connected to an earthed mains socket-outlet.</p> <p>The marking text in Denmark shall be as follows: In Denmark: “Apparatets stikprop skal tilsluttes en stikkontakt med jord, som giver forbindelse til stikproppens jord.”</p>		N
1.7.5 1.7.5 (A11:2009)	<p>In Denmark, socket-outlets for providing power to other equipment shall be in accordance with the Heavy Current Regulations, Section 107-2-D1, Standard Sheet DK 1-3a, DK 1-5a or DK 1-7a, when used on Class I equipment. For STATIONARY EQUIPMENT the socket-outlet shall be in accordance with Standard Sheet DK 1-1b or DK 1-5a.</p> <p>For CLASS II EQUIPMENT the socket outlet shall be in accordance with Standard Sheet DKA 1-4a.</p>		N

IEC 60950-1 – Attachment			
Clause	Requirement + Test	Result - Remark	Verdict
1.7.5 (A2:2013)	<p>In Denmark, socket-outlets for providing power to other equipment shall be in accordance with the DS 60884-2-D1:2011.</p> <p>For class I equipment the following Standard Sheets are applicable: DK 1-3a, DK 1-1c, DK 1-1d, DK 1-5a or DK 1-7a, with the exception for STATIONARY EQUIPMENT where the socket-outlets shall be in accordance with Standard Sheet DK 1-1b, DK 1-1c, DK 1-1d or DK 1-5a.</p> <p>Socket outlets intended for providing power to Class II apparatus with a rated current of 2,5 A shall be in accordance with DS 60884-2-D1 standard sheet DKA 1-4a. Other current rating socket outlets shall be in compliance with by DS 60884-2-D1 Standard Sheet DKA 1-3a or DKA 1-3b.</p> <p>Justification the Heavy Current Regulations, 6c</p>		N
2.2.4	In Norway , for requirements see 1.7.2.1, 6.1.2.1 and 6.1.2.2 of this annex.		N
2.3.2	In Finland, Norway and Sweden there are additional requirements for the insulation. See 6.1.2.1 and 6.1.2.2 of this annex.		N
2.3.4	In Norway , for requirements see 1.7.2.1, 6.1.2.1 and 6.1.2.2 of this annex.		N
2.6.3.3	In the United Kingdom , the current rating of the circuit shall be taken as 13 A, not 16 A.		N
2.7.1	In the United Kingdom , to protect against excessive currents and short-circuits in the PRIMARY CIRCUIT of DIRECT PLUG-IN EQUIPMENT, tests according to 5.3 shall be conducted, using an external protective device rated 30 A or 32 A. If these tests fail, suitable protective devices shall be included as integral parts of the DIRECT PLUG-IN EQUIPMENT, so that the requirements of 5.3 are met.		N
2.10.5.13	In Finland, Norway and Sweden , there are additional requirements for the insulation, see 6.1.2.1 and 6.1.2.2 of this annex.		N
3.2.1.1	<p>In Switzerland, supply cords of equipment having a RATED CURRENT not exceeding 10 A shall be provided with a plug complying with SEV 1011 or IEC 60884-1 and one of the following dimension sheets:</p> <p>SEV 6532-2.1991 Plug Type 15 3P+N+PE 250/400 V, 10 A</p>		N

IEC 60950-1 – Attachment			
Clause	Requirement + Test	Result - Remark	Verdict
	<p>SEV 6533-2.1991 Plug Type 11 L+N 250 V, 10 A</p> <p>SEV 6534-2.1991 Plug Type 12 L+N+PE 250 V, 10 A</p> <p>In general, EN 60309 applies for plugs for currents exceeding 10 A. However, a 16 A plug and socket-outlet system is being introduced in Switzerland, the plugs of which are according to the following dimension sheets, published in February 1998:</p> <p>SEV 5932-2.1998: Plug Type 25 , 3L+N+PE 230/400 V, 16 A</p> <p>SEV 5933-2.1998: Plug Type 21, L+N, 250 V, 16A</p> <p>SEV 5934-2.1998: Plug Type 23, L+N+PE 250 V, 16 A</p>		N
3.2.1.1	<p>In Denmark, supply cords of single-phase equipment having a rated current not exceeding 13 A shall be provided with a plug according to the Heavy Current Regulations, Section 107-2-D1.</p> <p>CLASS I EQUIPMENT provided with socket-outlets with earth contacts or which are intended to be used in locations where protection against indirect contact is required according to the wiring rules shall be provided with a plug in accordance with standard sheet DK 2-1a or DK 2-5a.</p> <p>If poly-phase equipment and single-phase equipment having a RATED CURRENT exceeding 13 A is provided with a supply cord with a plug, this plug shall be in accordance with the Heavy Current Regulations, Section 107-2-D1 or EN 60309-2.</p>		N
3.2.1.1 (A2:2013)	<p>In Denmark, supply cords of single-phase equipment having a rated current not exceeding 13 A shall be provided with a plug according to DS 60884-2-D1.</p> <p>CLASS I EQUIPMENT provided with socket-outlets with earth contacts or which are intended to be used in locations where protection against indirect contact is required according to the wiring rules shall be provided with a plug in accordance with standard sheet DK 2-1a or DK 2-5a.</p> <p>If a single-phase equipment having a RATED CURRENT exceeding 13 A or if a poly-phase equipment is provided with a supply cord with a plug, this plug shall be in accordance with the standard sheets DK 6-1a in DS 60884-2-D1 or EN 60309-2.</p> <p>Justification the Heavy Current Regulations, 6c</p>		N

IEC 60950-1 – Attachment			
Clause	Requirement + Test	Result - Remark	Verdict
3.2.1.1	<p>In Spain, supply cords of single-phase equipment having a rated current not exceeding 10 A shall be provided with a plug according to UNE 20315:1994.</p> <p>Supply cords of single-phase equipment having a rated current not exceeding 2,5 A shall be provided with a plug according to UNE-EN 50075:1993.</p> <p>CLASS I EQUIPMENT provided with socket-outlets with earth contacts or which are intended to be used in locations where protection against indirect contact is required according to the wiring rules, shall be provided with a plug in accordance with standard UNE 20315:1994.</p> <p>If poly-phase equipment is provided with a supply cord with a plug, this plug shall be in accordance with UNE-EN 60309-2.</p>		N
3.2.1.1	<p>In the United Kingdom, apparatus which is fitted with a flexible cable or cord and is designed to be connected to a mains socket conforming to BS 1363 by means of that flexible cable or cord and plug, shall be fitted with a 'standard plug' in accordance with Statutory Instrument 1768:1994 - The Plugs and Sockets etc. (Safety) Regulations 1994, unless exempted by those regulations.</p> <p>NOTE 'Standard plug' is defined in SI 1768:1994 and essentially means an approved plug conforming to BS 1363 or an approved conversion plug.</p>		N
3.2.1.1	<p>In Ireland, apparatus which is fitted with a flexible cable or cord and is designed to be connected to a mains socket conforming to I.S. 411 by means of that flexible cable or cord and plug, shall be fitted with a 13 A plug in accordance with Statutory Instrument 525:1997 - National Standards Authority of Ireland (section 28) (13 A Plugs and Conversion Adaptors for Domestic Use) Regulations 1997.</p>		N
3.2.4	<p>In Switzerland, for requirements see 3.2.1.1 of this annex.</p>		N
3.2.5.1	<p>In the United Kingdom, a power supply cord with conductor of 1,25 mm² is allowed for equipment with a rated current over 10 A and up to and including 13 A.</p>		N
3.3.4	<p>In the United Kingdom, the range of conductor sizes of flexible cords to be accepted by terminals for equipment with a RATED CURRENT of over 10 A up to and including 13 A is:</p> <ul style="list-style-type: none"> • 1,25 mm² to 1,5 mm² nominal cross-sectional area. 		N

IEC 60950-1 – Attachment			
Clause	Requirement + Test	Result - Remark	Verdict
4.3.6	In the United Kingdom , the torque test is performed using a socket outlet complying with BS 1363 part 1:1995, including Amendment 1:1997 and Amendment 2:2003 and the plug part of DIRECT PLUG-IN EQUIPMENT shall be assessed to BS 1363: Part 1, 12.1, 12.2, 12.3, 12.9, 12.11, 12.12, 12.13, 12.16 and 12.17, except that the test of 12.17 is performed at not less than 125 °C. Where the metal earth pin is replaced by an Insulated Shutter Opening Device (ISOD), the requirements of clauses 22.2 and 23 also apply.		N
4.3.6	In Ireland , DIRECT PLUG-IN EQUIPMENT is known as plug similar devices. Such devices shall comply with Statutory Instrument 526:1997 - National Standards Authority of Ireland (Section 28) (Electrical plugs, plug similar devices and sockets for domestic use) Regulations, 1997.		N
5.1.7.1	In Finland, Norway and Sweden TOUCH CURRENT measurement results exceeding 3,5 mA r.m.s. are permitted only for the following equipment: <ul style="list-style-type: none"> • STATIONARY PLUGGABLE EQUIPMENT TYPE A that <ul style="list-style-type: none"> is intended to be used in a RESTRICTED ACCESS LOCATION where equipotential bonding has been applied, for example, in a telecommunication centre; and has provision for a permanently connected PROTECTIVE EARTHING CONDUCTOR; and is provided with instructions for the installation of that conductor by a SERVICE PERSON; • STATIONARY PLUGGABLE EQUIPMENT TYPE B; • STATIONARY PERMANENTLY CONNECTED EQUIPMENT. 		N

IEC 60950-1 – Attachment			
Clause	Requirement + Test	Result - Remark	Verdict
6.1.2.1 (A1:2010)	<p>In Finland, Norway and Sweden, add the following text between the first and second paragraph of the compliance clause:</p> <p>If this insulation is solid, including insulation forming part of a component, it shall at least consist of either</p> <ul style="list-style-type: none"> - two layers of thin sheet material, each of which shall pass the electric strength test below, or - one layer having a distance through insulation of at least 0,4 mm, which shall pass the electric strength test below. <p>Alternatively for components, there is no distance through insulation requirements for the insulation consisting of an insulating compound completely filling the casing, so that CLEARANCES and CREEPAGE DISTANCES do not exist, if the component passes the electric strength test in accordance with the compliance clause below and in addition</p> <ul style="list-style-type: none"> - passes the tests and inspection criteria of 2.10.11 with an electric strength test of 1,5 kV multiplied by 1,6 (the electric strength test of 2.10.10 shall be performed using 1,5 kV), and - is subject to ROUTINE TESTING for electric strength during manufacturing, using a test voltage of 1,5 kV. 		N
	<p>It is permitted to bridge this insulation with an optocoupler complying with 2.10.5.4 b).</p> <p>It is permitted to bridge this insulation with a capacitor complying with EN 60384-14:2005, subclass Y2.</p> <p>A capacitor classified Y3 according to EN 60384-14:2005, may bridge this insulation under the following conditions:</p> <ul style="list-style-type: none"> - the insulation requirements are satisfied by having a capacitor classified Y3 as defined by EN 60384-14, which in addition to the Y3 testing, is tested with an impulse test of 2,5 kV defined in EN 60950-1:2006, 6.2.2.1; - the additional testing shall be performed on all the test specimens as described in EN 60384-14: - the impulse test of 2,5 kV is to be performed before the endurance test in EN 60384-14, in the sequence of tests as described in EN 60384-14. 		N

IEC 60950-1 – Attachment			
Clause	Requirement + Test	Result - Remark	Verdict
6.1.2.2	In Finland, Norway and Sweden , the exclusions are applicable for PERMANENTLY CONNECTED EQUIPMENT, PLUGGABLE EQUIPMENT TYPE B and equipment intended to be used in a RESTRICTED ACCESS LOCATION where equipotential bonding has been applied, e.g. in a telecommunication centre, and which has provision for a permanently connected PROTECTIVE EARTHING CONDUCTOR and is provided with instructions for the installation of that conductor by a SERVICE PERSON.		N
7.2	In Finland, Norway and Sweden , for requirements see 6.1.2.1 and 6.1.2.2 of this annex. The term TELECOMMUNICATION NETWORK in 6.1.2 being replaced by the term CABLE DISTRIBUTION SYSTEM.		N
7.3 (A11:2009)	In Norway and Sweden , for requirements see 1.2.13.14 and 1.7.2.1 of this annex.		N

Annex ZD
(informative)
IEC and CENELEC code designations for flexible cords

Type of flexible cord	Code designations	
	IEC	CENELEC
PVC insulated cords		
Flat twin tinsel cord	60227 IEC 41	H03VH-Y
Light polyvinyl chloride sheathed flexible cord	60227 IEC 52	H03VV-F H03VVH2-F
Ordinary polyvinyl chloride sheathed flexible cord	60277 IEC 53	H05VV-F H05VVH2-F
Rubber insulated cords		
Braided cord	60245 IEC 51	H03RT-F
Ordinary tough rubber sheathed flexible cord	60245 IEC 53	H05RR-F
Ordinary polychloroprene sheathed flexible cord	60245 IEC 57	H05RN-F
Heavy polychloroprene sheathed flexible cord	60245 IEC 66	H07RN-F
Cords having high flexibility		
Rubber insulated and sheathed cord	60245 IEC 86	H03RR-H
Rubber insulated, crosslinked PVC sheathed cord	60245 IEC 87	H03RV4-H
Crosslinked PVC insulated and sheathed cord	60245 IEC 88	H03V4V4-H

===== End of Attachment =====

Photo Documentation

Model: MO9450



Photo 1

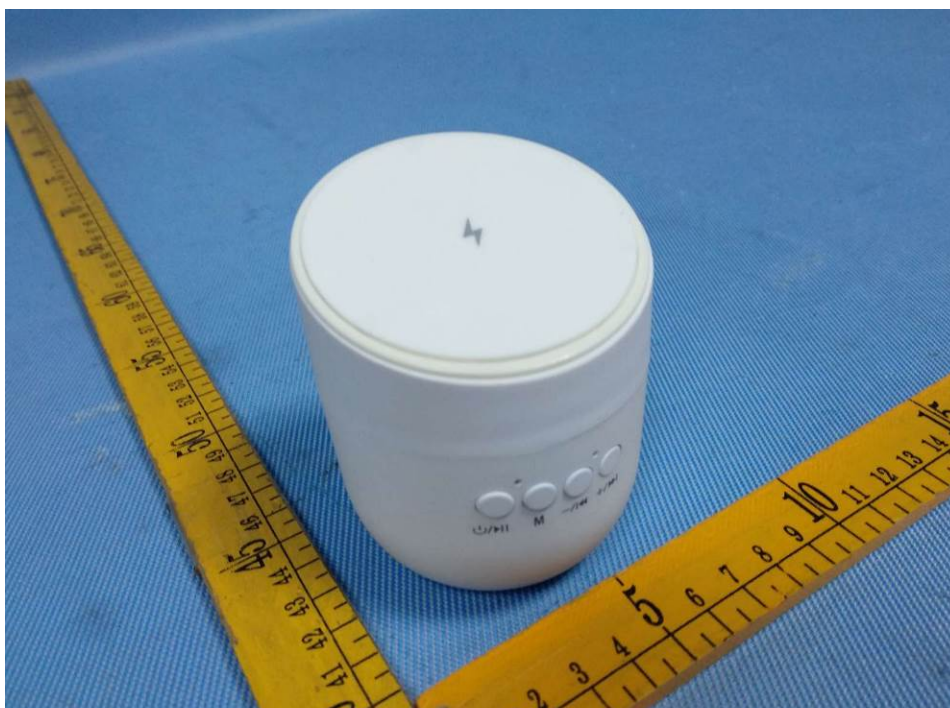


Photo 2

Photo Documentation



Photo 3



Photo 4

Photo Documentation



Photo 5



Photo 6

Photo Documentation

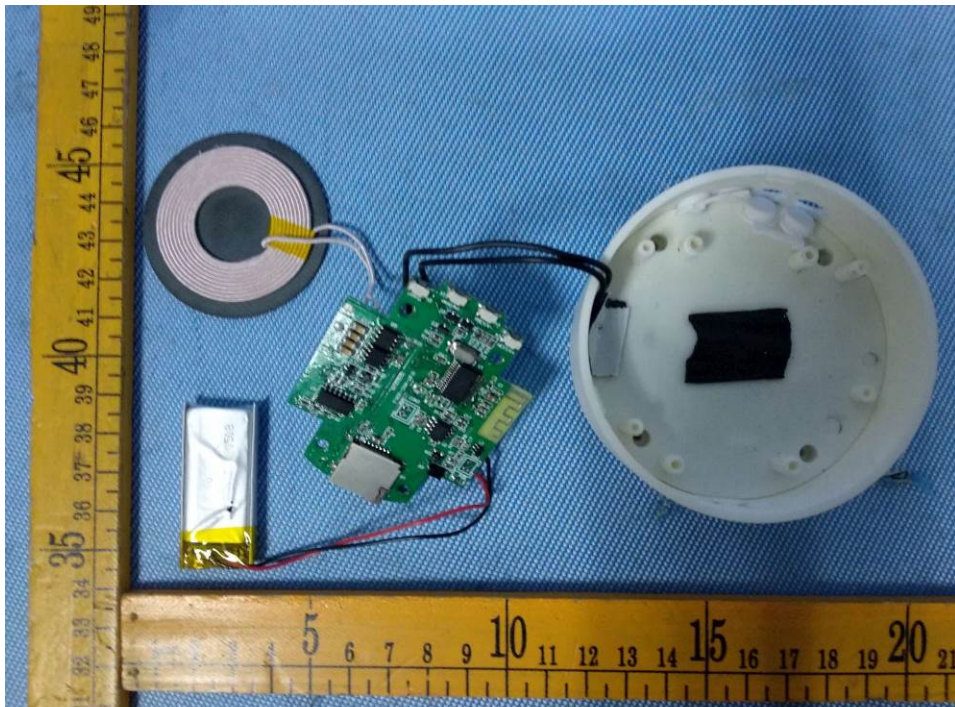


Photo 7

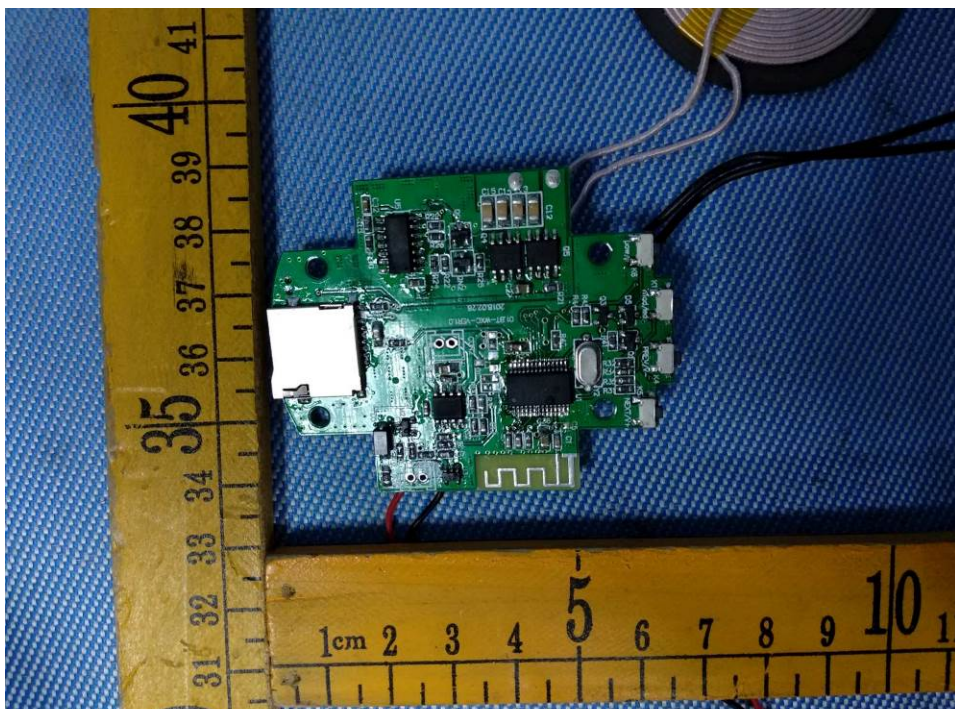


Photo 8

Photo Documentation

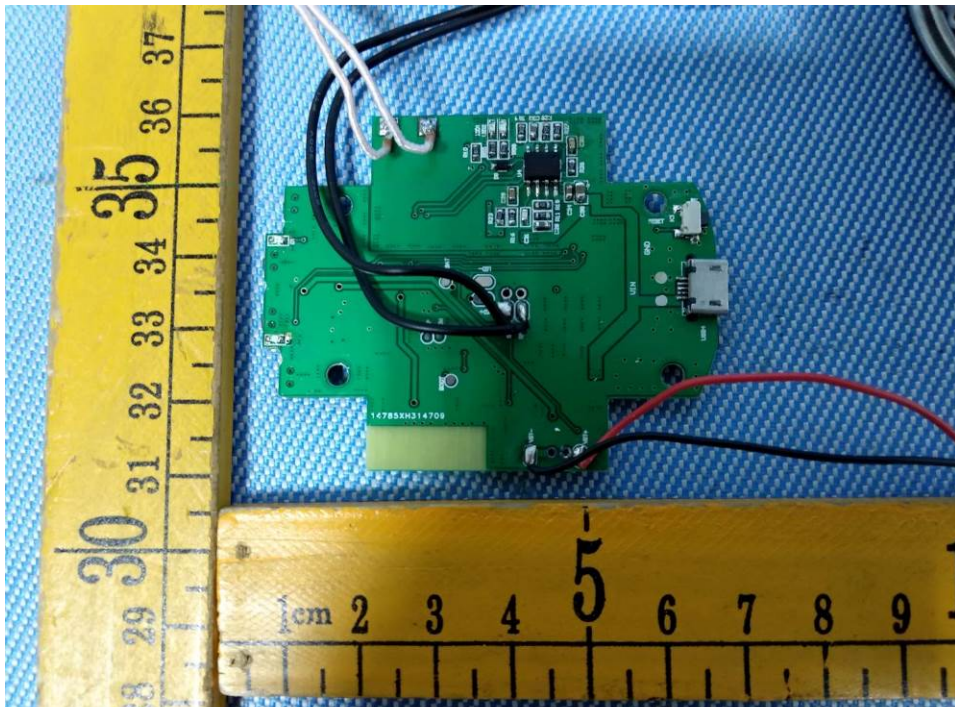


Photo 9



Photo 10

===== End of Photo =====